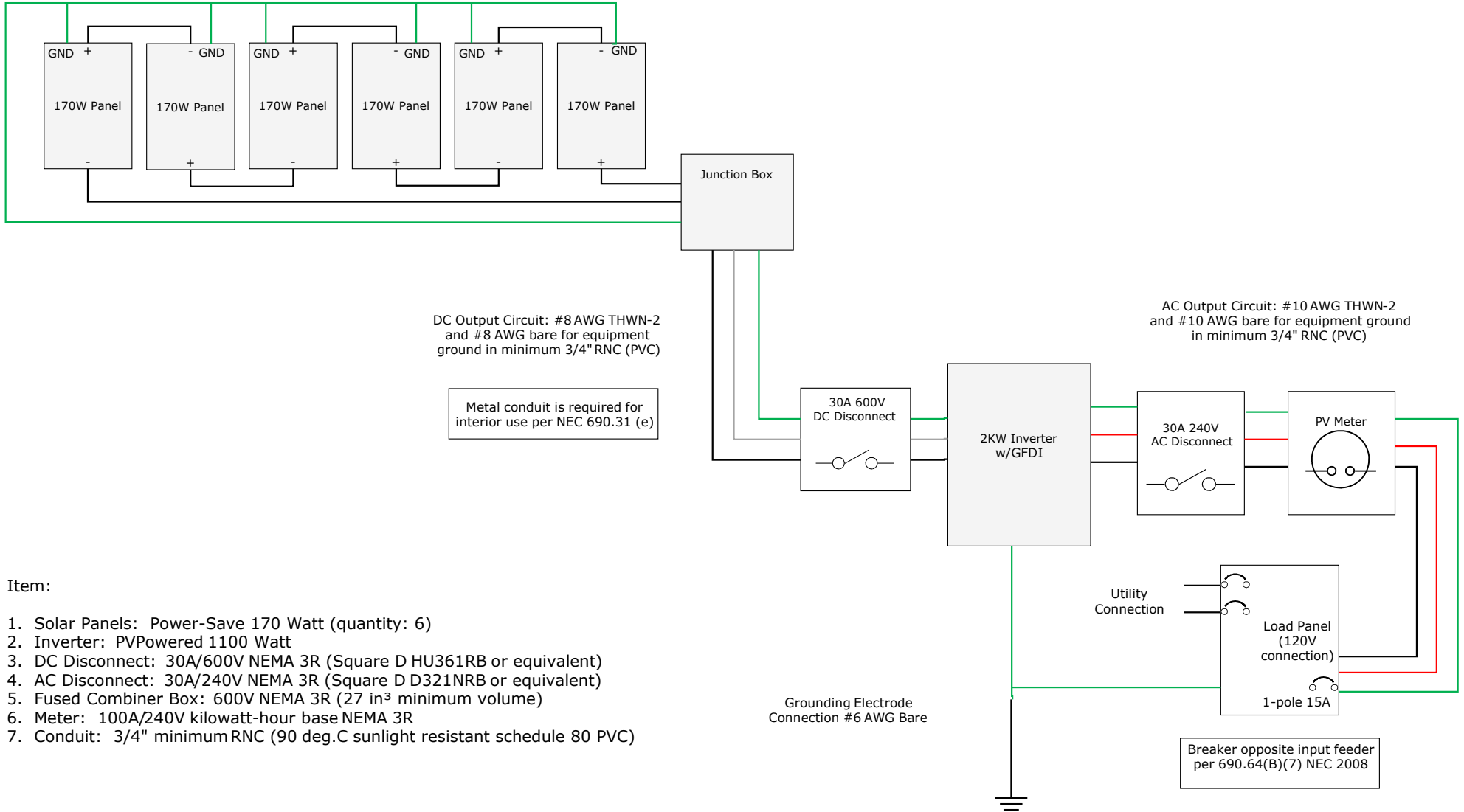


Power-Save 2KW Grid-Tie Photovoltaic System

DC Source Circuit: #10 AWG USE-2 w/Multi-Contacts except #10AWG bare for equipment ground

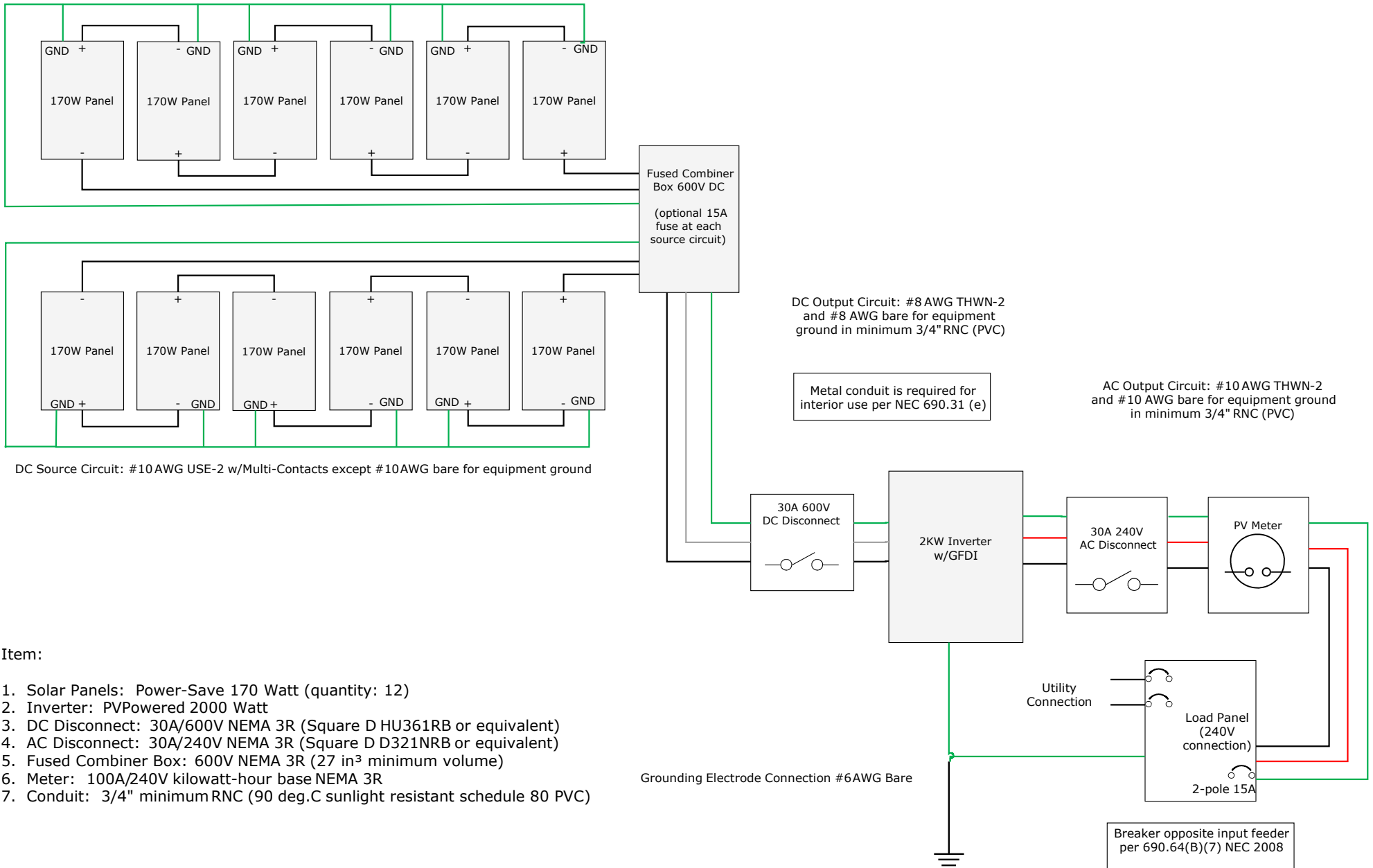


Item:

1. Solar Panels: Power-Save 170 Watt (quantity: 6)
2. Inverter: PVPowered 1100 Watt
3. DC Disconnect: 30A/600V NEMA 3R (Square D HU361RB or equivalent)
4. AC Disconnect: 30A/240V NEMA 3R (Square D D321NRB or equivalent)
5. Fused Combiner Box: 600V NEMA 3R (27 in³ minimum volume)
6. Meter: 100A/240V kilowatt-hour base NEMA 3R
7. Conduit: 3/4" minimum RNC (90 deg.C sunlight resistant schedule 80 PVC)

Power-Save 2KW Grid-Tie Photovoltaic System

DC Source Circuit: #10 AWG USE-2 w/Multi-Contacts except #10AWG bare for equipment ground



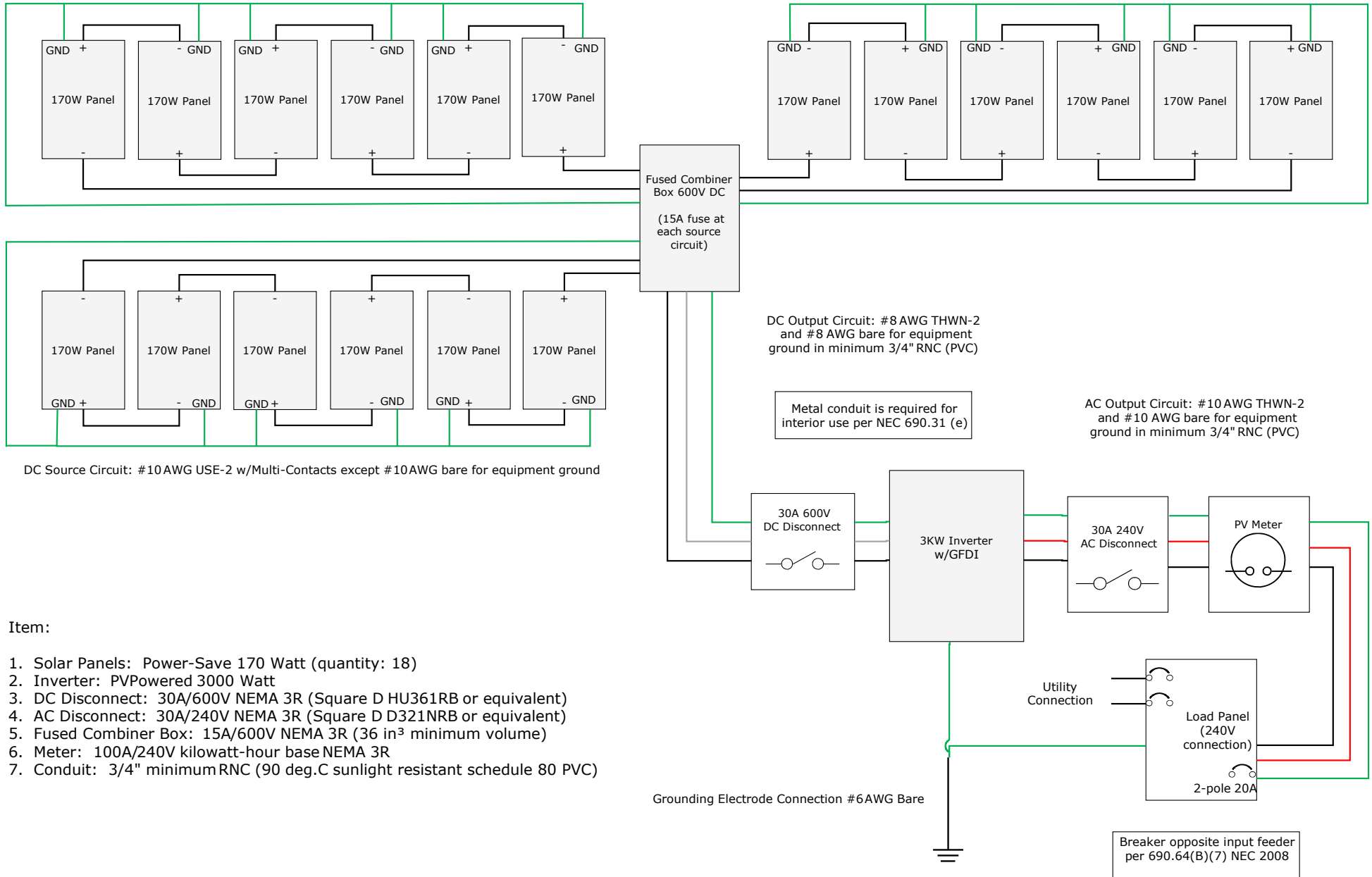
Item:

1. Solar Panels: Power-Save 170 Watt (quantity: 12)
2. Inverter: PVPowered 2000 Watt
3. DC Disconnect: 30A/600V NEMA 3R (Square D HU361RB or equivalent)
4. AC Disconnect: 30A/240V NEMA 3R (Square D D321NRB or equivalent)
5. Fused Combiner Box: 600V NEMA 3R (27 in³ minimum volume)
6. Meter: 100A/240V kilowatt-hour base NEMA 3R
7. Conduit: 3/4" minimum RNC (90 deg.C sunlight resistant schedule 80 PVC)

Power-Save 3KW Grid-Tie Photovoltaic System

DC Source Circuit: #10 AWG USE-2 w/Multi-Contacts except #10AWG bare for equipment ground

DC Source Circuit: #10 AWG USE-2 w/Multi-Contacts except #10AWG bare for equipment ground



Item:

1. Solar Panels: Power-Save 170 Watt (quantity: 18)
2. Inverter: PVPowered 3000 Watt
3. DC Disconnect: 30A/600V NEMA 3R (Square D HU361RB or equivalent)
4. AC Disconnect: 30A/240V NEMA 3R (Square D D321NRB or equivalent)
5. Fused Combiner Box: 15A/600V NEMA 3R (36 in³ minimum volume)
6. Meter: 100A/240V kilowatt-hour base NEMA 3R
7. Conduit: 3/4" minimum RNC (90 deg.C sunlight resistant schedule 80 PVC)